

EVL4/DUO Connection Options and Universal panel support

While the EnvisaLink 4 (EVL4) and the DUO IP/LTE offer high-levels of functionality when bus-connected with a compatible DSC PowerSeries panel or Honeywell Vista panel, they can be used with other systems in a more limited **Universal** mode.

Connection Options

1. **Compatible Panel Mode (Bus Connected)** – If you have a compatible alarm panel then follow the instructions that came with your product to connect it to the keypad bus for the panel. When you activate your system choose either **EnvisaLink 4 DSC** or **EnvisaLink 4 Honeywell** or **DUO DSC** or **DUO Honeywell**. See **Figure 1** for connections.

Compatible panels include:

DSC PowerSeries (1555, 1555 MX, 1575, 5010 (832), 5020 (864), 1616, 1832, 1864)

Honeywell Vista Panels (Vista20P, 21iP, 15P, 10P, 128P, and 250P)

(check www.eyezon.com for the most up to date compatibility information).

2. **Stand-Alone Mode** – Both the EVL4 and DUO can be used as the basis for a small form factor stand-alone security system, expandable from 2 to 30 zones. Please consult the specific guides for using them in this mode.
3. **Universal Mode** – Both the EVL4 (MAX only) and the DUO, when combined with an UNO4 expansion board, can be used to receive signals from outputs on a panel and use the 2 UNO4 outputs to allow for simple arming/disarming functionality (ability to program the panel required). When you activate your system choose either **EVL4 Universal** or **DUO Universal**. See **Figure 2** (following page) for wiring connections. (See programming options with **DSC NEO** example on the following page)

Figure 1 – Bus Connected

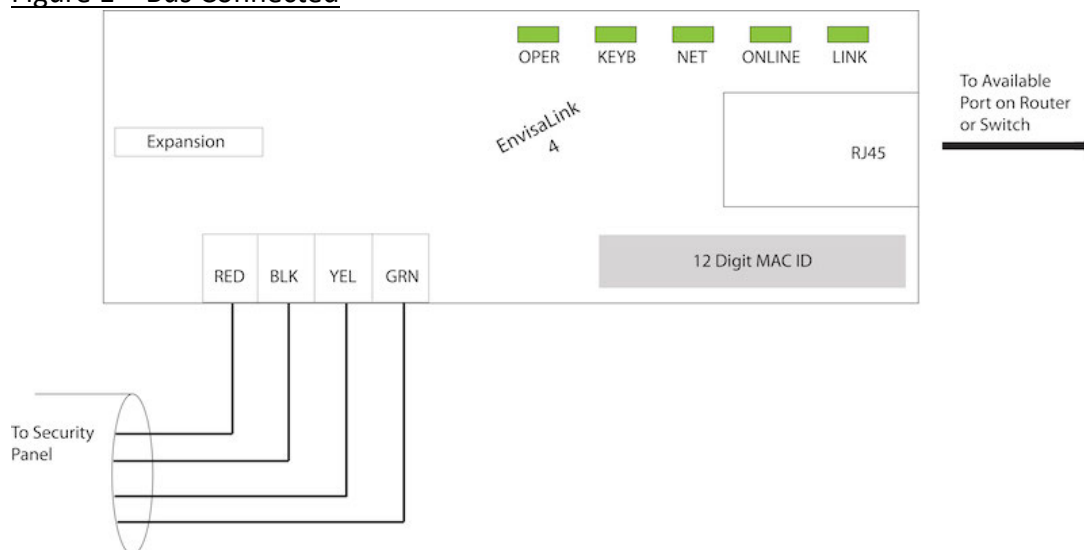
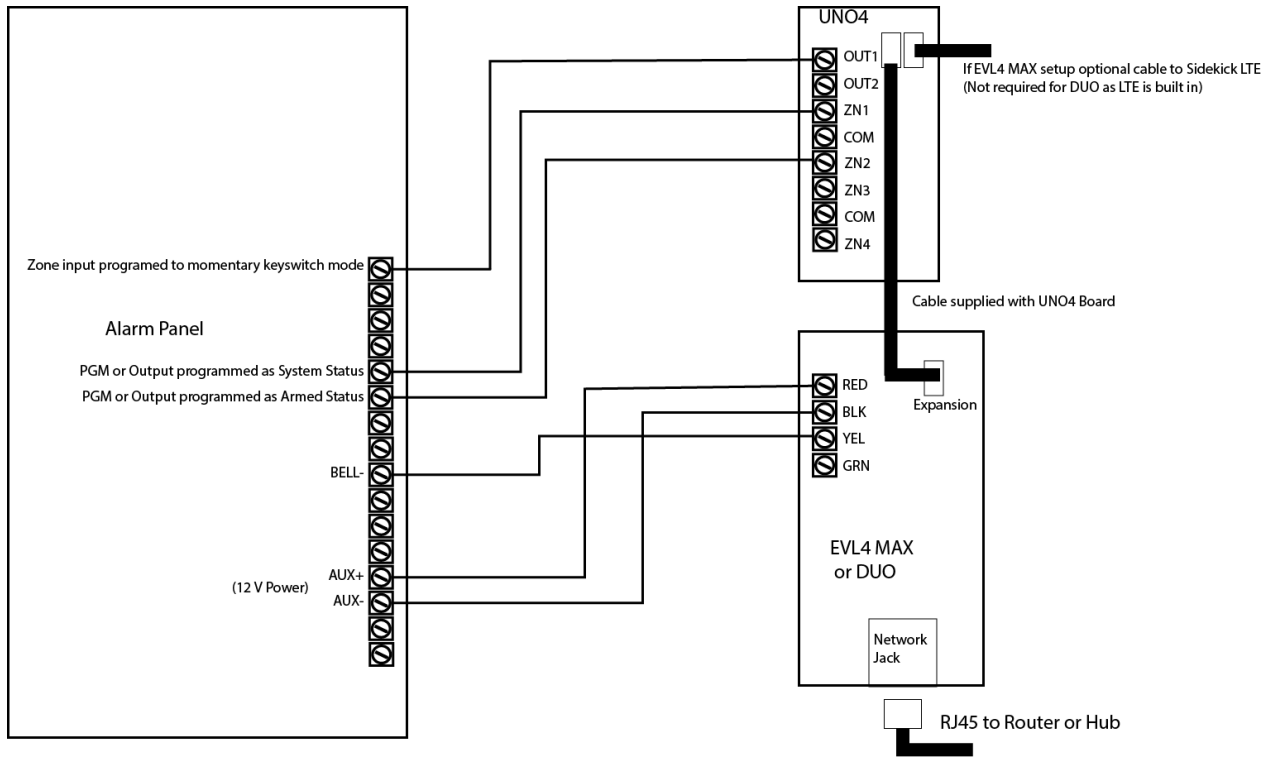


Figure 2 – Universal Mode



Panel Programming

For example, on a **DSC NEO** panel you would set:
 PGM1 to option 114 and connect it to Zone 1 on the UNO4.
 PGM2 to option 115 and connect it to Zone 2 on the UNO4.

OUT1 on the UNO4 to a DSC NEO zone with Type Option 066 Momentary Keyswitch Arm

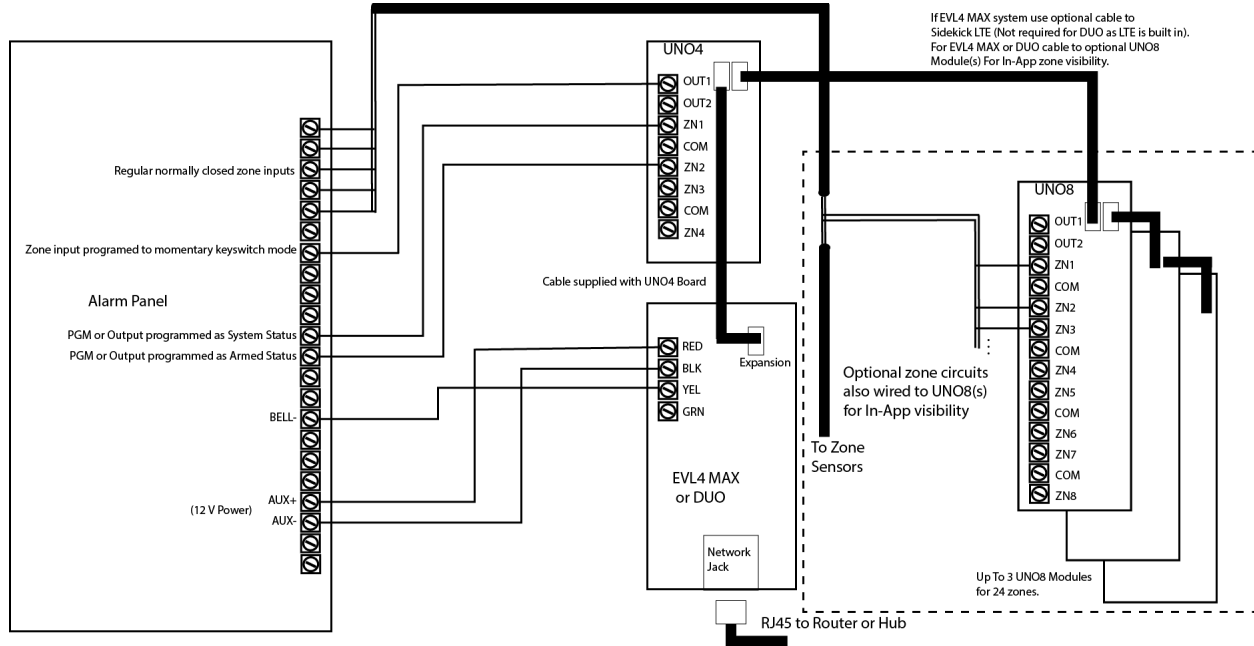
Most panels will have similar options.

Optional Zone Status

If in Universal mode you would also like to see zone status (similar to our bus-connected solutions), it is possible to use up to 3 UNO8 modules and wire the zone circuits in parallel with the circuits connected to the Alarm panel to display the status of up to 24 zones in the app.

See the optional section on the right side of Figure 3. (Normally closed circuits only). The first zone on the UNO8 addressed 9-16 will be mapped to appear as Zone 1 in the app and so on up to 24.

Figure 3 – Optional Zone Status



Notes:

DUO with LTE primary

To run a DUO with LTE as the only communications path you must hook up the DUO to an IP network initially to do any firmware updates and configure settings. After that the device can be used in LTE only mode.